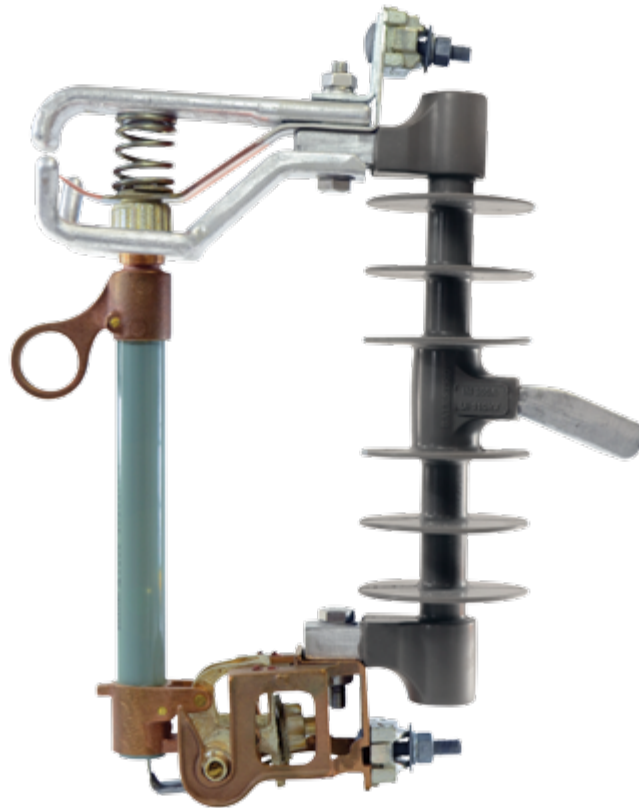


type **CHBP**



Silicone rubber has been implemented in the utility market for more than 25 years and is becoming the polymeric material of choice for application at distribution, transmission and substation. Balestro chose silicone for its exceptional performance durability and insulation characteristics. Inherent to silicone are its ability to maintain its natural hydrophobicity over its service life plus maintain stability against high temperatures, flashovers and UV radiation. Balestro silicone cutouts weigh less than of their porcelain counterparts. The insulator body is a one-piece silicone injection mold that encapsulates the upper and lower mounting provision as well the center-mounting pin. This design eliminates the potential for moisture ingress and increases the rigidity as well as decreases the flexion on the silicone body under interruption and re-fusing. All Balestro Cutout meet or exceed applicable test requirements including IEEE C 37.41-2000, ANSI C 37.42-1996 and IEC 60.282/05.

Main product advantages:

- Silicone body offers durable and tracking resistant performance;
- Increased leakage distance;
- Not susceptible to ultra violet degradation;
- Ideal for coastal/ high pollution degradation;
- Light in weight for easy handling;
- Bushing design eliminates breakage in shipping and installation;
- Vandal resistant;
- Interchangeable with polymer and porcelain cutouts.

04/2015



www.balestro.com.br

B **BALESTRO**
ANYTIME, ALWAYS THE BEST

Tel: +55 19 3814 9000
balestroventas@balestro.com.br
Mogi Mirim - SP
facebook.com/balestro.industria

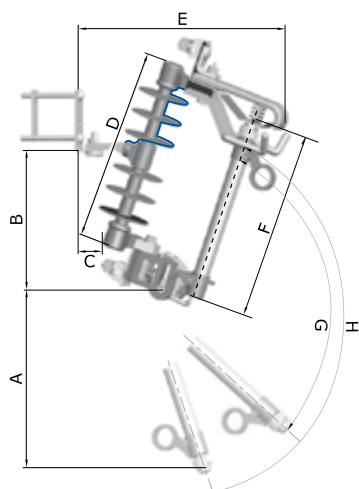
type CHBP

Ordering Code for the Balestro Polymeric Fuse Cutout

Balestro Polymeric Fuse Cutout Constructive Type of Cutout Central Support Material

CHBP 15/1/110/10/C/AL

Rated Voltage of Fuse Cutout Rated Continuous Current of Fuse Holder BIL Asymmetrical Interruption Capacity



Dimensões

— Distância de Escoamento

Technical Characteristics

Model	Rated Voltage (kV)	Fuse Holder Rated Current (A)	Interrupting Current (kA rms)		BIL (kV)	Fuse Holder Modelo
			Sim.	Assim.		
CHBP 15/1/110/02/C/AL	15	100	1,4	2,0	110	PFB 15/1/02
CHBP 15/1/110/10/C/AL	15	100	7,1	10	110	PFB 15/1/10
CHBP 15/1/110/16/C/AL*	15	100	10,6	16	110	PFB 15/1/16
CHBP 15/1/125/10/C/AL	15	100	7,1	10	125	PFB 15/1/10
CHBP 15/1/125/16/C/AL*	15	100	10,6	16	125	PFB 15/1/16
CHBP 15/2/110/02/C/AL	15	200	1,4	2,0	110	PFB 15/2/02
CHBP 15/2/110/10/C/AL	15	200	7,1	10	110	PFB 15/2/10
CHBP 15/2/110/16/C/AL*	15	200	10,6	16	110	PFB 15/2/16
CHBP 15/2/125/10/C/AL	15	200	7,1	10	125	PFB 15/2/10
CHBP 15/2/125/16/C/AL*	15	200	10,6	16	125	PFB 15/2/16
CHBP 27/1/125/08/C/AL	27	100	5,3	8	125	PFB 27/1/08
CHBP 27/1/125/12/C/AL*	27	100	8	12	125	PFB 27/1/12
CHBP 27/1/150/08/C/AL	27	100	5,3	8	150	PFB 27/1/08
CHBP 27/1/150/12/C/AL*	27	100	8	12	150	PFB 27/1/12
CHBP 27/1/170/08/C/AL	27	100	5,3	8	170	PFB 27L/1/08
CHBP 27/1/170/12/C/AL*	27	100	8	12	170	PFB 27L/1/12
CHBP 27/2/125/08/C/AL	27	200	5,3	8	125	PFB 27/2/08
CHBP 27/2/125/12/C/AL*	27	200	8	12	125	PFB 27/2/12
CHBP 27/2/150/08/C/AL	27	200	5,3	8	150	PFB 27/2/08
CHBP 27/2/150/12/C/AL*	27	200	8	12	150	PFB 27/2/12
CHBP 27/2/170/08/C/AL	27	200	5,3	8	170	PFB 27L/2/08
CHBP 27/2/170/12/C/AL*	27	200	8	12	170	PFB 27L/2/12
CHBP 38/1/150/05/C/AL	38	100	3,5	5	150	PFB 38/1/05
CHBP 38/1/150/08/C/AL*	38	100	5	8	150	PFB 38/1/08
CHBP 38/1/170/05/C/AL	38	100	3,5	5	170	PFB 38L/1/05
CHBP 38/1/170/08/C/AL*	38	100	5	8	170	PFB 38L/1/08
CHBP 38/2/150/05/C/AL	38	200	3,5	5	150	PFB 38/2/05
CHBP 38/2/150/08/C/AL*	38	200	5	8	150	PFB 38/2/08
CHBP 38/2/170/05/C/AL	38	200	3,5	5	170	PFB 38L/2/05
CHBP 38/2/170/08/C/AL*	38	200	5	8	170	PFB 38L/2/08C

* Utilizes Arc Shortening Rod

Dimension

Model	A Máx. (mm)	B Máx. (mm)	C Máx. (mm)	D Máx. (mm)	E Máx. (mm)	F Máx. (mm)	Leakage Distancia (mm)	Weight (kg)
CHBP 15/1/110/02/C/AL	270	260	65	320	420	285	330	3,40
CHBP 15/1/110/10/C/AL	270	260	65	320	420	285	330	3,40
CHBP 15/1/110/16/C/AL*	270	260	65	320	420	285	330	3,40
CHBP 15/1/125/10/C/AL	270	260	65	320	420	285	410	3,40
CHBP 15/1/125/16/C/AL*	270	260	65	320	420	285	410	3,40
CHBP 15/2/110/02/C/AL	270	260	65	320	420	285	330	3,55
CHBP 15/2/110/10/C/AL	270	260	65	320	420	285	330	3,55
CHBP 15/2/110/16/C/AL*	270	260	65	320	420	285	330	3,55
CHBP 15/2/125/10/C/AL	270	260	65	320	420	285	410	3,65
CHBP 15/2/125/16/C/AL*	270	260	65	320	420	285	410	3,65
CHBP 27/1/125/08/C/AL	360	290	65	410	420	375	435	3,60
CHBP 27/1/125/12/C/AL*	360	290	65	410	420	375	435	3,60
CHBP 27/1/150/08/C/AL	360	330	65	410	470	375	540	3,70
CHBP 27/1/150/12/C/AL*	360	330	65	410	470	375	540	3,70
CHBP 27/1/170/08/C/AL	460	340	65	500	470	467	730	4,10
CHBP 27/1/170/12/C/AL*	460	340	65	500	470	467	730	4,10
CHBP 27/2/125/08/C/AL	360	290	65	410	420	375	435	3,75
CHBP 27/2/125/12/C/AL*	360	290	65	410	420	375	435	3,75
CHBP 27/2/150/08/C/AL	360	330	65	410	470	375	540	3,85
CHBP 27/2/150/12/C/AL*	360	330	65	410	470	375	540	3,85
CHBP 27/2/170/08/C/AL	460	340	65	500	470	467	730	4,10
CHBP 27/2/170/12/C/AL*	460	340	65	500	470	467	730	4,10
CHBP 38/1/150/05/C/AL	360	330	65	410	470	375	540	3,70
CHBP 38/1/150/08/C/AL*	360	330	65	410	470	375	540	3,70
CHBP 38/1/170/05/C/AL	460	340	65	500	470	467	730	4,10
CHBP 38/1/170/08/C/AL*	460	340	65	500	470	467	730	4,10
CHBP 38/2/150/05/C/AL	360	330	65	410	470	375	540	3,85
CHBP 38/2/150/08/C/AL*	360	330	65	410	470	375	540	3,85
CHBP 38/2/170/05/C/AL	460	340	65	500	470	467	730	4,10
CHBP 38/2/170/08/C/AL*	460	340	65	500	470	467	730	4,10

* Utilizes Arc Shortening Rod

The cutout bases have been designed for rated 300A capability. The dimensions "G" and "H" will be maximum values considered at 110° and 140° respectively. The arc shortening rods must be used with removable buttonhead fuse links.

All cutouts furnished including NEMA type-B mounting bracket and tin-plated parallel-groove connectors (6 AWG through 250MCM) with hot galvanized steel connectors button-head bolt.

Due to constant development, this information may be changed without notice. Other models on request.